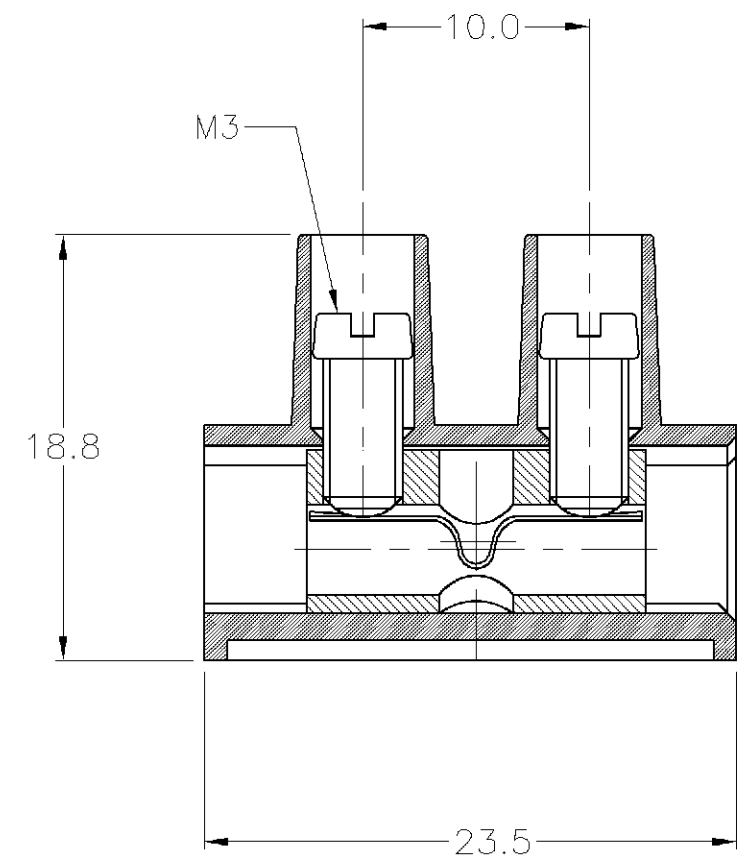
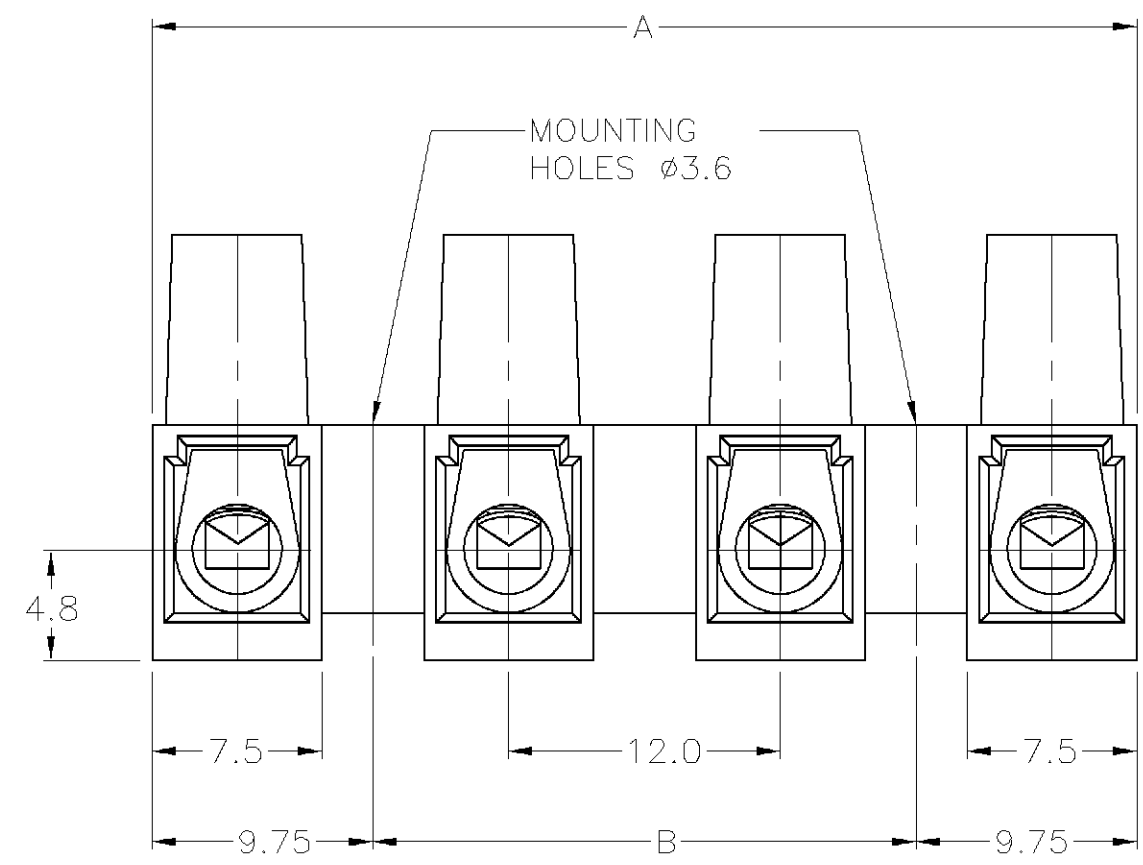


THIS DRAWING IS UNPUBLISHED. RELEASED FOR PUBLICATION  
 © COPYRIGHT BY TYCO ELECTRONICS CORPORATION. ALL RIGHTS RESERVED.

LOC	DIST	REVISIONS					
FT	0	P	LTR	DESCRIPTION	DATE	DWN	APVD
			A	RELEASE	5/21/02	SS	DB

NOTE

- MATERIAL  
HOUSING - POLYIMIDE 6 UL94V-2  
COLOR - NATURAL(OFF WHITE)
- CURRENT RATING: 40A, 250V  
10-22 AWG



120	139.5	TSB1000 12MDS	1-1546301-2
108	127.5	TSB1000 11MDS	1-1546301-1
96	115.5	TSB1000 10MDS	1-1546301-0
84	103.5	TSB1000 09MDS	1546301-9
72	91.5	TSB1000 08MDS	1546301-8
60	79.5	TSB1000 07MDS	1546301-7
48	67.5	TSB1000 06MDS	1546301-6
36	55.5	TSB1000 05MDS	1546301-5
24	43.5	TSB1000 04MDS	1546301-4
12	31.5	TSB1000 03MDS	1546301-3
-	19.5	TSB1000 02MDS	1546301-2
-	7.5	TSB1000 01MDS	1546301-1
DIM B	DIM A	T & B PART NUMBER	TYCO PART NUMBER

THIS DRAWING IS A CONTROLLED DOCUMENT.		DWN	S SCHLEGEL	5/21/02	<b>BUCHANAN</b> Tyco Electronics Corporation Harrisburg, PA 17105-3608		
DIMENSIONS: MM		CHK	S SCHLEGEL	5/21/02			
TOLERANCES UNLESS OTHERWISE SPECIFIED:		APVD	D. BIEVENOUR	5/21/02	EUROPA TERMINAL BLOCK W/WIRE STOP MOUNTING HOLES Ø 3.6, 12mm PITCH		
0 PLC ± -		PRODUCT SPEC		SIZE			
1 PLC ± .3		APPLICATION SPEC		CAGE CODE		DRAWING NO	
2 PLC ± .25		WEIGHT		A3 00779		C-1546301	
3 PLC ± -		CUSTOMER DRAWING		SCALE		SHEET	
4 PLC ± -		FINISH		3:1		1 OF 1	
ANGLES ± 2		MATERIAL		REV		A	